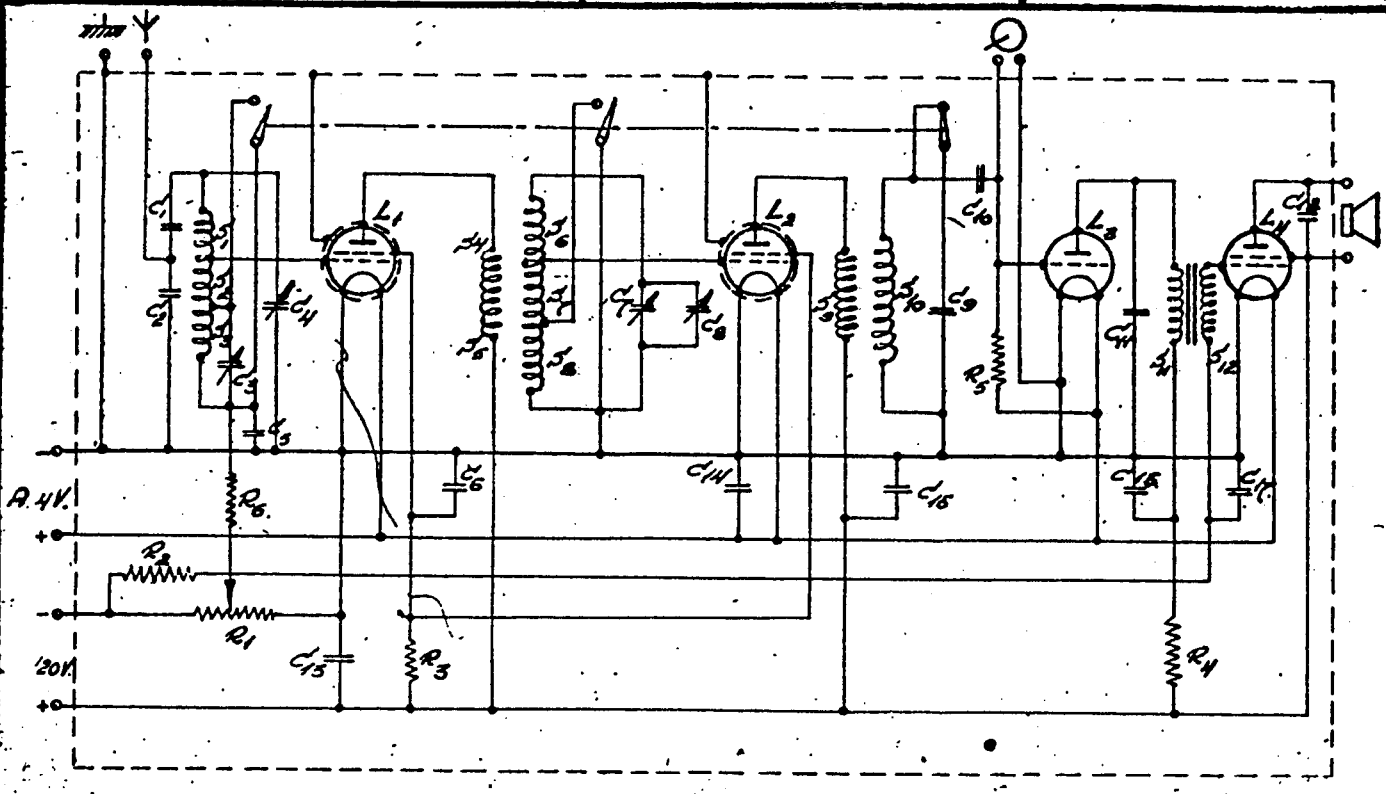




N.V. Radiofabriek en Ingenieursbureau v/h  
**VAN DER HEEM en BLOEMSMA**

Apparaat: KY 126-B  
 Onderdeel:

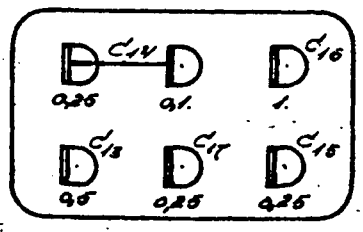
SCHEMA  
 No. GF 90902 blad:  
 Dat:



SPORLEN.	CODE NR.	CONDENSATOREN	CODE NR.	WEERSTANDEN	CODE NR.
$S_1 = 70$ WIND.	25960100	$C_1 = 20$ $\mu F$	25114540d	$R_1 = 1000$ $\Omega$	GK.808120
$S_2 = 46$ "		$C_2 = 100$ "	25112630	$R_2 = 1$ M $\Omega$	2572.2730
$S_3 = 192$ "		$C_3 = 27$ "	25115410	$R_3 = 0,1$ "	2710
$S_4 = 54$ "		$C_4 = 420$ "	GK.850031	$R_4 = 0,04$ "	2250
$S_5 = 190$ "	GK.885040	$C_5 = 0,1$ $\mu F$	25115330	$R_5 = 4$ "	2650
$S_6 = 48$ "		$C_6 = 0,1$ "	25115330	$R_6 = 1$ "	2730
$S_7 = 72$ "	2572826	$C_7 = 420$ $\mu F$	GK.830031		
$S_8 = 196$ "		$C_8 = 27$ "	25115410		
$S_9 = 240$ "		$C_9 = 500$ "	25115070		
$S_{10} = 240$ "		$C_{10} = 125$ "	25112920		
$S_{11} = 2500$ "	00400011	$C_{11} = 3000$ "	25115110		
$S_{12} = 7500$ "		$C_{12} = 8000$ "	25113280		
		$C_{13} = 0,5$ $\mu F$	25115300		
		$C_{14} = 0,35$ "			
		$C_{15} = 0,25$ "			
		$C_{16} = 1$ "			
		$C_{17} = 0,25$ "			

LAMPEN.	
$L_1 =$	B442.
$L_2 =$	B442.
$L_3 =$	B438
$L_4 =$	B443.



25115300